



AXM

magstripe reader

*high performance and reliability  
for any application*



The AXM magstripe readers provide high-performance and reliability for any application; whether high-security access control, electronic point of sale, time and attendance or purely data acquisition. A wide variety of output formats are available to provide flexibility for most OEM applications.

The AXM magstripe reader is manufactured from impact resistant UV stabilised acrylic. Being made from such hard wearing material not only means that the product is very durable, but also ensures that even in the harshest conditions the reader continue to operate.

As all the electronics are embedded in epoxy resin this product is weather-proof and vandal-resistant – making it an ideal choice for both indoor and outdoor use. The reader heads provide an extremely reliable reading capability with over 1 million head passes.

The single tri-colour LED provides a visual indicator-showing the current reader status, whilst the internal buzzer provides an audible indicator. Both indicators are utilised via external lines.

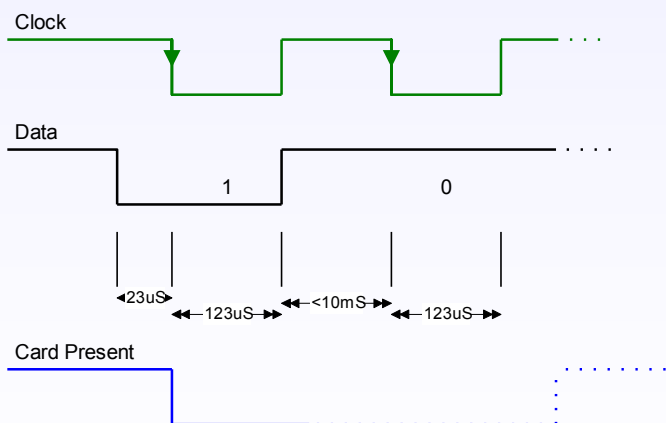
## Features

- Single tri-colour LED normally red, green and yellow activated via external line
- Internal buzzer with external control line
- Stainless steel fixing plate with internal/external secure fixing
- Reliable read capability with head life in excess of 1 million passes
- Available either as Track 1, Track 2 or Track 3 ISO
- 2.5 metre (8.2ft) 8 core screened cable
- Dimensions: 112 x 42 x 36mm (4.40 x 1.65 x 1.41")
- Vandal-resistant
- Card speed is 125 to 380 cm per second (5 to 15" per second)
- Data range 325 to 12,250 bits per second
- All electronics are encapsulated in epoxy resin (except read head and buzzer aperture)
- Reads lo-co and hi-co magnetic-stripe cards
- Weatherproof -25°C to +65°C (-13°F to +150°F)
- CMOS Clock, Data and Card Present outputs (see technical data)

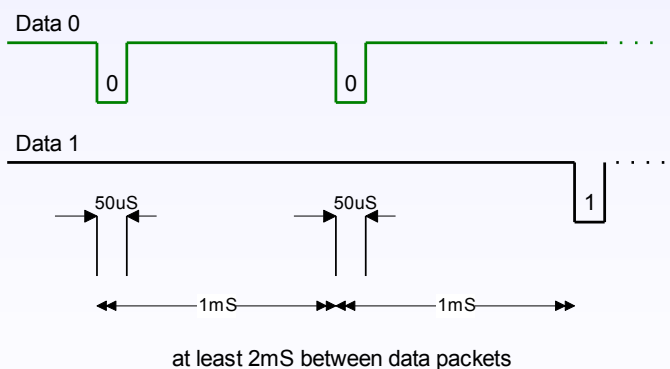
### Output Formats

- Clock & data
- USB
- RS232
- Wiegand 26 bit
- Wiegand 36 bit
- Wiegand 50 bit
- Other output formats available for most OEM applications

### Standard Clock and Data Output—Signal Format



### Wiegand Output—Signal Format



This diagram represents active 'low' CMOS clock, data and card present. On the data line, the 'high' level indicates a data '0' bit and the 'low' level denotes a data '1' bit. Data must be accepted at the falling edge of the clock pulse. The timings shown are for guidance purposes only and will in practice vary in accordance with the card speed.

## Technical Data

### Cable Connections

Reader supplied with 2.5 metre (8.2ft) - 8 core screened cable

Red	+VDC Supply
Blue	Card Present
Green	Clock (or Wiegand Data 0)
Yellow	Buzzer Control Line
White	Data (or Wiegand 1)
Black	0VDC Signal Ground
Violet	not in use
Orange Green/Yellow	LED Control Line

### Material

Black impact resistant UV-stabilised acrylic housing

### Reader Supply Voltage

+5VDC to +18VDC—recommended +12VDC

### Cable Distance / Gauge

Maximum of 100 metres—24AWG (7/0.20)

### LED and Buzzer Control Inputs

0 to +5VDC maximum.

### Current Consumption

50mA at +5VDC and 20mA at +12VDC

### Ordering Information

AXM-ABS 105-233-BK-y

Where y signifies the output type.

### Output Types

1. RS232
2. Clock & Data
3. Wiegand 26 bit
4. Wiegand 36 bit
5. Wiegand 50 bit
6. Paxton
7. n/a
8. Maxxess
- 9 & 10. Bank card versions

Track 2 standard— also available Track 1 or Track 3 please specify when ordering.

### Hi-Co Magstripe Cards

*part no. 201-101*

ISO magstripe cards for use with AX series magstripe readers. Suitable for photo ID printing. Sold in packs of 10. Numbered & encoded.

54 x 85.7 x 0.84 mm (2.125 x 3.375 x 0.033")



### AX ISO Proximity & Magstripe Cards

*part no. 205-223*

125Khz ISO proximity and magstripe cards for use with AX series magstripe & proximity readers. Suitable for photo ID printing. Sold in packs of 10.



### Warranty Period

The equipment is guaranteed against defects in materials and workmanship for 2 years from date of shipment (see warranty policy for details).



27-28 Shrivenham Hundred Business Park, Watchfield, Swindon,  
Wiltshire SN6 8TZ United Kingdom  
Tel: +44 (0)1793 784002  
Fax: +44 (0)1793 784005  
Email: [info@axxessid.com](mailto:info@axxessid.com)  
Website: [www.axxessid.com](http://www.axxessid.com)

Distributor: